

Auxiliary contactors / Contacteurs auxiliaires

	Ui	V	660	1000
	Ith	A	16	20
	max.	mm²	2 x 2.5	2 x 6
A600	120V	Ie	A	6
AC15 / AC11	220/230V	A	6	10
	380/400V	A	4	6
	415/440V	A	3	5
	500V	A	2.5	4
P600	660/690V	A	1.5	2
	24V	Ie	A	5
	48V	A	3.5	4
	110V	A	1.2	2
DC13 / DC11	220V	A	0.6	0.7
	440V	A	0.35	

Symbol	Model	Model
	MCR A040AT	RL4R A040T
	MCR C040AT	RL4R D040T
	MCR A031AT	RL4R A031T
	MCR C031AT	RL4R D031T
	MCR A022AT	RL4R A022T
	MCR C022AT	RL4R D022T
	MCR A013AT	RL4R A013T
	MCR A004AT	RL4R A004T
	MCR C004AT	RL4R D004T
COILS / BOBINES		MBO A
		MBO C
		LB1 A
		LB1 D

Auxiliary contact blocks / Blocs contacts auxiliaires

FRONT MOUNTED / MONTAGE FRONTAL	NO	NC/NF	Model	Model
2	0		MARN 220 AT	BCLF 10
1	1		MARN 211 AT	BCLF 01
0	2		MARN 202 AT	
4	0		MARN 440 AT	
3	1		MARN 431 AT	BCLF 10G
2	2		MARN 422 AT	
1	3		MARN 413 AT	BCLF 01G
0	4		MARN 404 AT	
SIDE MOUNTED / MONTAGE LATÉRAL	NO	NC/NF	Model	Model
1	0		MARL 110 AT	BRLL 20
0	1		MARL 101 AT	BRLL 11
EXTENSION BLOCKS, side mounted / BLOCS D'EXTENSION, montage latéral	NO	NC/NF	Model	Model
1	0		MARL 110 ATS	
0	1		MARL 101 ATS	

Coils / Bobines

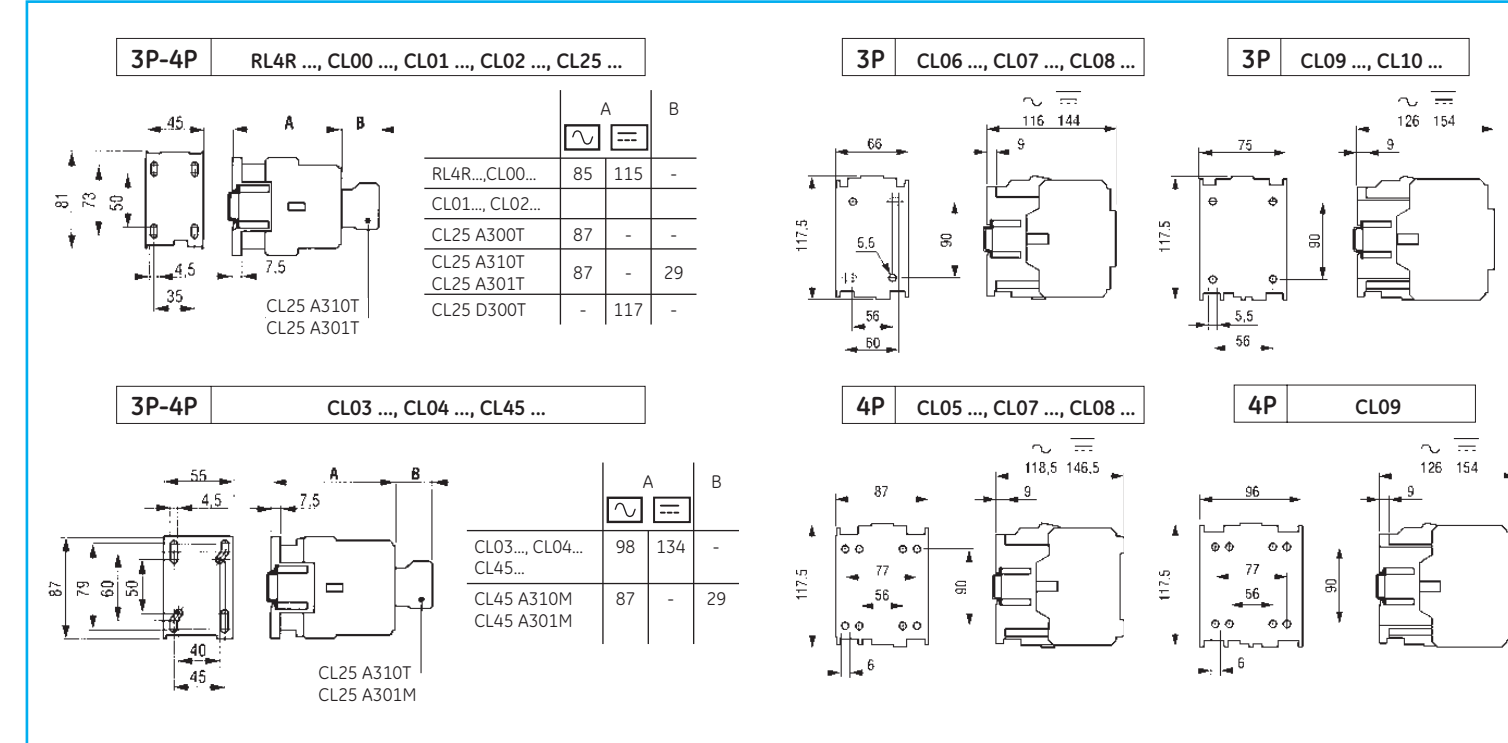
MCR-RL	A	B	E	F	G	H	J	K	L	M	N	P	R	S	T	U	V	W	X	Y	Z		
50 Hz	24	48	115	127	220	230	240	230	260	380	380	415	415	500	660	690							
60 Hz	12	32	60	127	208	240	208	240	277	277	277	277	277	277	277	277	277	277	277	277	277		
MCR-RL	A	B	D	C	E	F	G	H	I	J	K	L	M	N	P	R	S	T	U	V	X	Y	
DC	6	12	24	32	36	42	48	60	72	110	120	120	125	220	230	240	250	250	250	250	440	440	
MCR-RL	10 th	1	2	3	4	5	6	7	12 th	13	8	15 th											
50/60 Hz	12	24	42	48	110	120	220	230	240	380	400	440	440										
MCR-RL	10 th	1	2	3	4	5	6	7	12 th	13	8	15 th											
DC wide range	12	24	33	42	48	60	72	110	125	220	230	240	250	250	250	250	250	250	250	250	440	440	

(1) Only RL (2) Only MCR

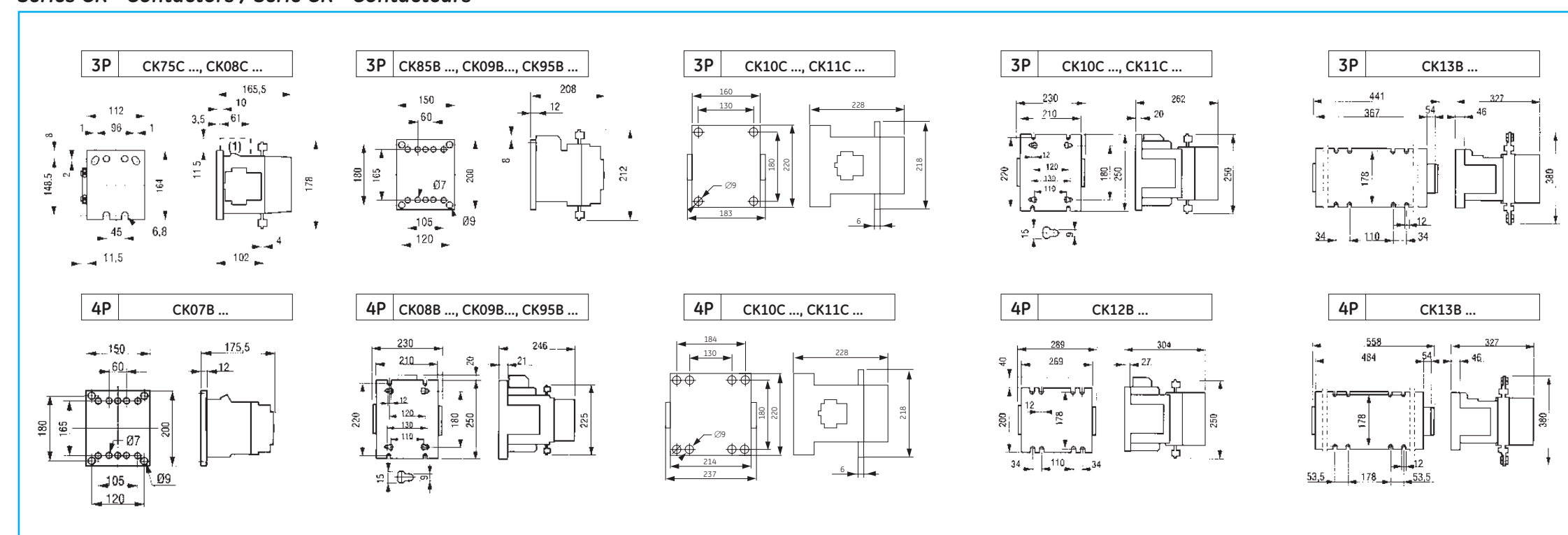
Series M - Mini-contactors / Série M - Minicontacteurs



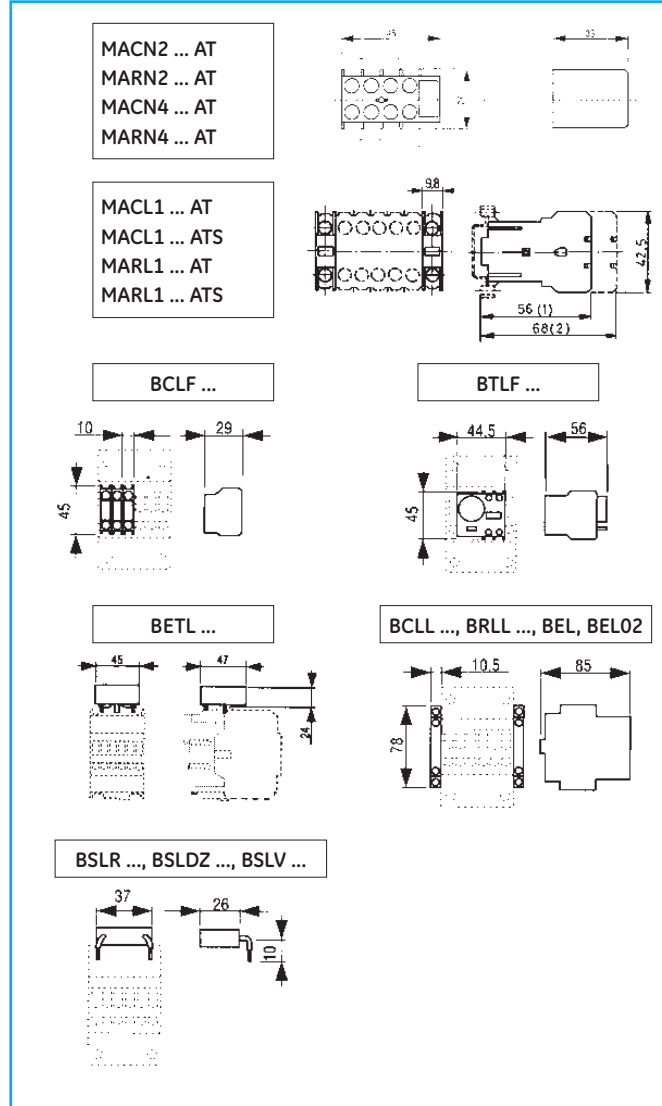
Series CL - Contactors / Série CL - Contacteurs



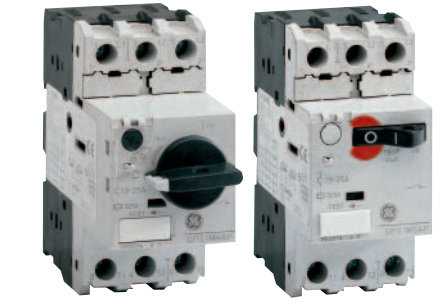
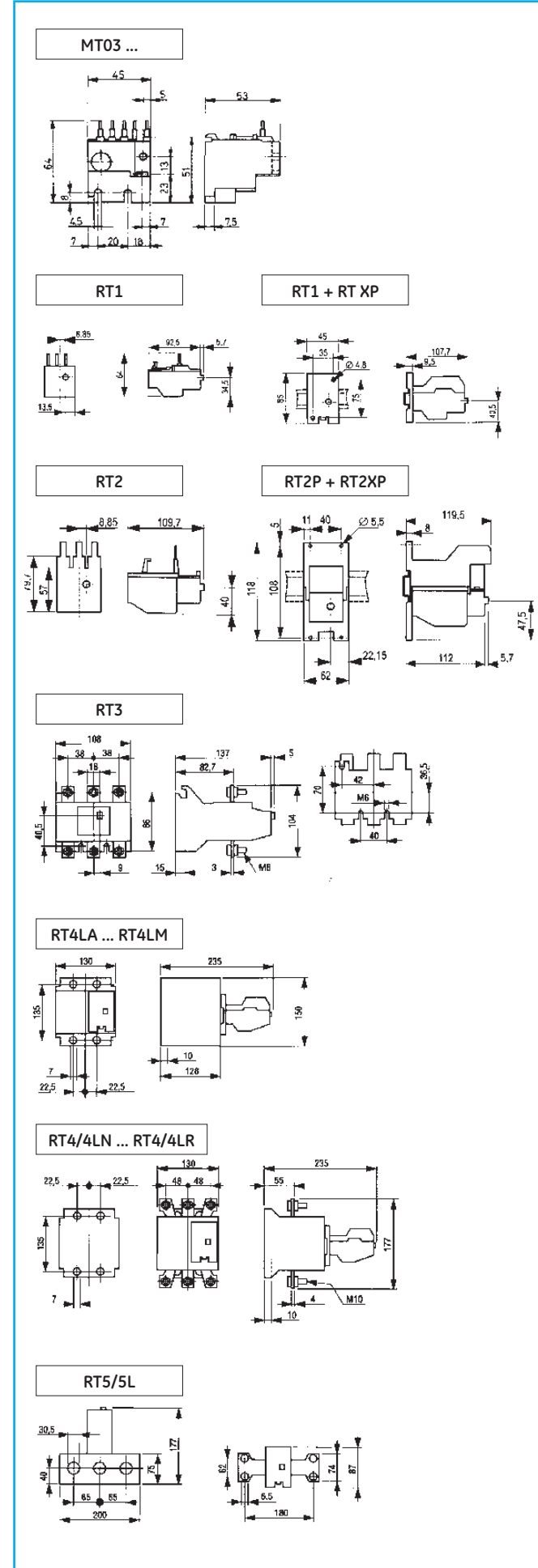
Series CK - Contactors / Série CK - Contacteurs



Accessories / Accessoires



Thermal overload relays / Relais thermiques



Motor protection devices
Surion manual motor starters
SFK Motor protection circuit breakers



Light towers
Outstanding modular concept
Steady light units, flashing light units, strobe
light units, LED light units
Protection degree IP65



Main switches
Series ML: main switches and
emergency-stop switches on machinery.



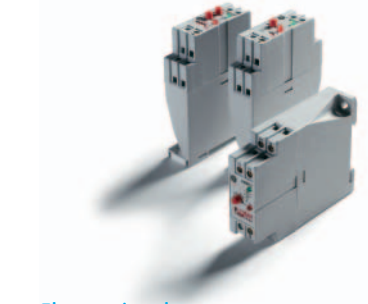
Push-buttons
Industrial push-buttons and switches
Series P9 - Ø 22.5 mm
Series 077 - Ø 30 mm
Palm and foot switches.



Plug-in auxiliary relays
Standard 8-11 pin plug-in relays
Miniature plug-in relays
Number of contacts: 2-3-4 changeover
Interface relay for PLC



Starters and inverters



Electronic relays
Single voltage and multivoltage electronic
timers and relays.
Liquid level and flow detectors and earth-
leakage relays.



Limit switches
Thermoplastic and metallic limit switches.

Series M-CL-CK

Contactors and thermal overload relays
Contacteurs et relais thermiques



www.gpowercontrols.com
www.ge.com/eu/powerprotection

GE POWER CONTROLS
International Sales
Nieuwevaart 51
B-9000 Gent
Belgium

Tel. +32/9 265 21 11
Fax +32/9 265 28 90
E-mail: gepcb@gepc.com

GE POWER CONTROLS Ltd
Lincoln Road
Enfield
Middlesex EN1 1SB
United Kingdom

Tel. 0800 587 1251
Fax 0800 587 1239
E-mail: gepcuk@gepc.com

